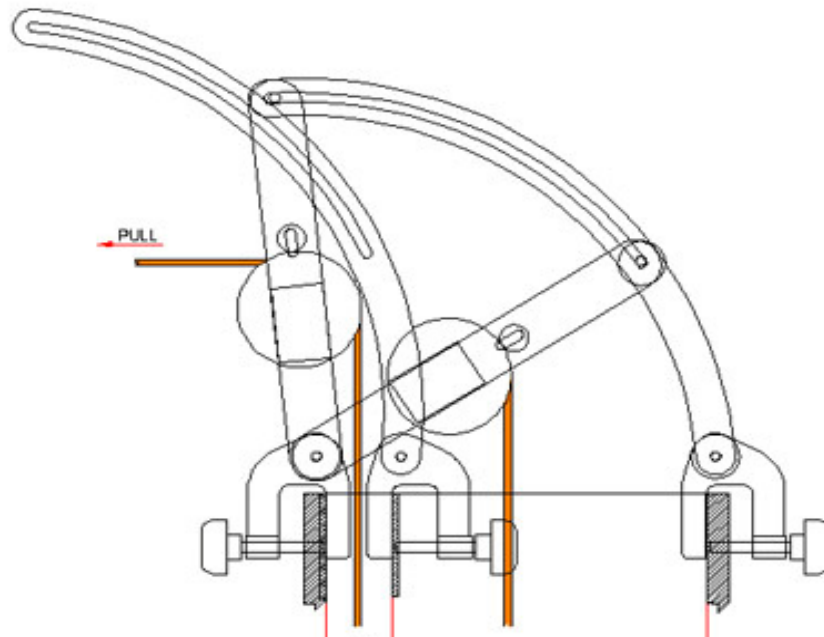


SM-201 Sheave Adapter



Description

The SM-201 is an adapter that allow to be mounted on pipes of 70 to 360 mm, and can replace a tripod.

The system consists of a cable sheave with a sealed splash proof sensor and a text generator unit. The text generator, integrated in the controller, mixes the video signal from the camera with the digital data from the sheave sensor. The result is a video signal with the indication of the cable length on the screen. The settings of the text generator can be changed by a keyboard.

SPECIFICATIONS

Sensor	Optical
Cable length to the sensor	5 m
Length units	Meters or Feet
Resolution	0.001 m
Display	Overlay on the screen
Interface	USB for keyboard
Sheave diameter	130 mm
Working load	3 kN
Material of plates	Stainless steel